

Venturi

Cones

Pneumatic (compressed air) or saturated steam powered venturi cones for safe use in adverse or explosive atmospheres when used with optional static grounding cord. Requires minimum maintenance. Cones are crush and dent resistant. Cylindrical mixing chamber delivers higher induction ratios and fits standard API 3" (7 cm) and 6" (15 cm) openings.



Specifications

Model	RV760S		RV760		RV1500	
Weight	5 lbs	2 kg	6 lbs	3 kg	19 lbs	9 kg
Dimensions (d/h)	5 x 16 in	13 x 41 cm	8 x 33 in	20 x 84 cm	12 x 42 in	30 x 106 cm
Inlet Connection	0.5" / 12.7 mm NPT				1" / 25.4 mm NPT	
Flange	API 3" / 76.2 mm (6.56" / 167 mm BC)				API 6" / 152.4 mm (6.56" / 167 mm BC)	
Compressor Hp	9.3 Hp				19.8 Hp	
40 PSIG INLET AIR						
Free Air	810 cfm / 1,377 m³/hr		1,001 cfm / 1,702 m³/hr		2,740 cfm / 4,658 m³/hr	
Air Consumption	22 cfm / 37 m³/hr				59 cfm / 100 m³/hr	
Induction Ratio	37:1		46:1		47:1	
80 PSIG INLET AIR						
Free Air	1,180 cfm / 2,006 m³/hr		1,439 cfm / 2,446 m³/hr		3,329 cfm / 5,659 m³/hr	
Air Consumption	58 cfm / 99 m³/hr				124 cfm / 211 m³/hr	
Induction Ratio	20:1		20:1		27:1	



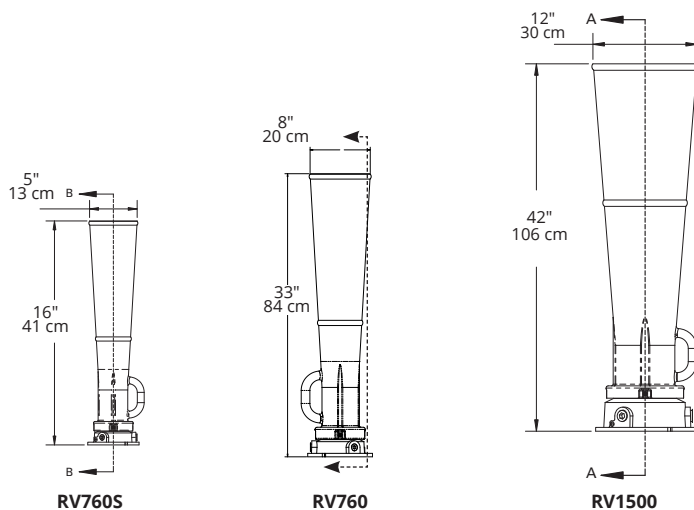
RV760S

RV760

RV1500



Dimensions



Available Accessory



Static Cord
Order # AZ-RAC-10