

# AFi50xx

16"/40 cm  
Blower/Exhauster

The large, air driven AFi50xx ventilator is stackable in storage or during operation. It exhausts the air outside of the duct, not in airstream. The AFi50xx hazardous location blower/exhauster also provides protection and peace of mind to the user.

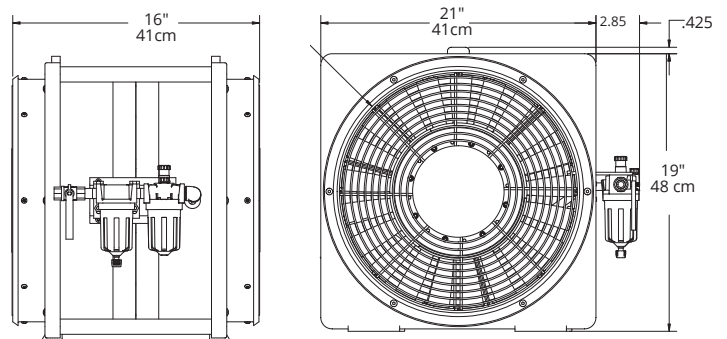
## Specifications

MODEL	AFi50xx
Part #	AA7000
IMPA Code	591512, 591426
Motor	GAST 4AM-NRV-50C
Motor Type	Totally Encapsulated Air Flame Proof
Operating Temperature	-22°F to +104°F / -30°C, to +40°C
Noise	89 dB @ 3' (1 m)
Run Time	Continuous
Weight	43 lbs / 20 kg
Dimensions (h/w/d)	19 x 21 x 16 in / 48 x 53 x 41 cm
Duct Adapters	2
AIR CONSUMPTION AND HORSEPOWER REQUIREMENTS FOR AIR COMPRESSOR*	
Air Pressure (PSIG) Inlet Air	80
Air Consumption	40scfm / 68m³/hr
Compressor Hp	6.4 Hp
Induction Ratio	80:1
Approval	CE

\*Values are shown for single-stage piston-type air compressors operating at 85% efficiency, and working on intake air under standard conditions.

## ← Certifications

Ex II 2 GD c T4+1° C < Ta < +40° C



## Performance

Airflow	
Free Air	3,200 cfm (5,440 m³/hr) (measurement @ 80psig inlet air)

## Available Accessories

### ECKO Flex™ Anti-Static Duct with carrying bag

Order # FDT-1615CBR - 16" (40cm) anti-static duct, 15' (4.6 m), w/ carrying bag

Order # FDT-1625CBR - 16" (40cm) anti-static duct, 25' (7.6 m), w/ carrying bag

